

# ESP-WROOM 02



**Produktkode:** 360aa

**Tilgjengelighet:** 4

**Lager :** L 11

**Pris:** kr. 45,00

## Short Description

ESP8266 ESP-WROOM-02 Serial WIFI Module Wireless Transceiver 4M 32Mbit

## Beskrivelse

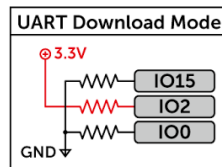
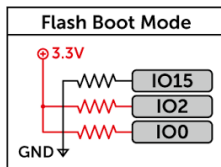
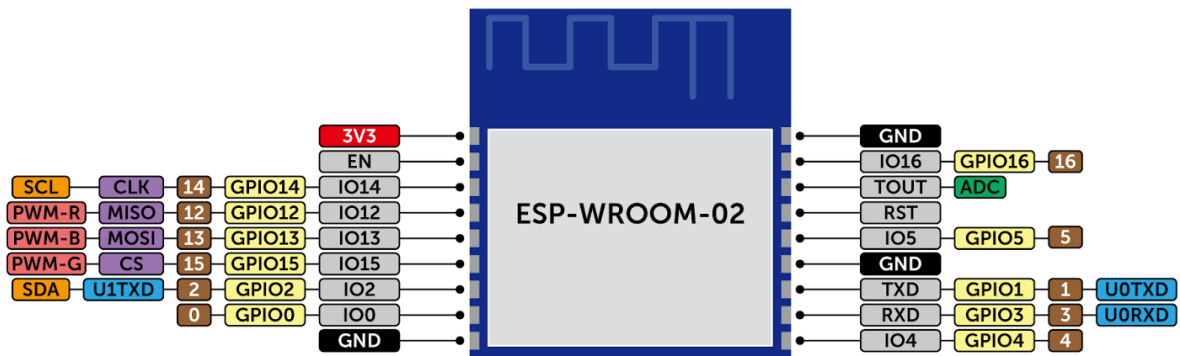
[Manual Dokumentasjon](#)

# Pinout

## ESP-WROOM-02

PINOUT DIAGRAM ESP8266 Arduino Core  
ver. 1.6.5-947-g39819f0  
Ver. 1 (24 Aug 2015)

GND	UART
Power	SPI
Pin Name	I2C
GPIO	PWM
Arduino	ADC



# Programming

