

# HC 06 Bluetooth slave zx-040



**Produktkode:** 152aa

**Tilgjengelighet:** 6

**Lager :** X3

**Pris: kr. 75,00**

## Short Description

1PCS Slave HC-06 Wireless Bluetooth Transceiver RF Master Module for Arduino

## Beskrivelse

### Slave HC-06 Wireless Bluetooth Transceiver RF Master Module Serial for Arduino

#### Product information

#### Product Description

#### Features:

Core module HC-06, leads to interface includes VCC, GND, TXD, RXD, aside LED status output pin, the microcontroller via the pin state judge whether Bluetooth connection, KEY pin on the slave invalid

Led indicate Bluetooth connection status, flashes indicates no Bluetooth connection, Always indicate the Bluetooth port is connected and turned on Backplane 3.3V LDO, the input voltage 3.6 ~ 6V, unpaired when the current approximately 30mA, paired about 10mA, the input voltage must not exceed 7V!

interface level 3.3V, you can directly connect a variety of SCM (51, AVR, PIC, ARM, MSP430, etc.), 5V microcontroller can also be directly connected, it can not pass without MAX232 MAX232!

full-duplex serial port to use later, when paired, without knowing any Bluetooth protocol, but only supports 8 data bits, 1 stop bit, no parity communication format, which is the most common communication format, not support other formats .

In the Bluetooth connection is not established when setting the baud rate supported by AT commands, names, matching password, set the parameters of power down to save.

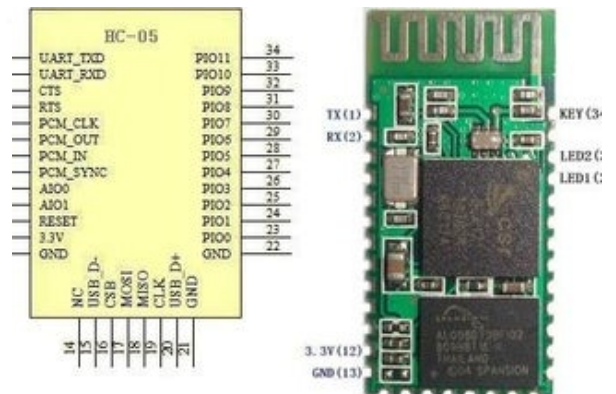
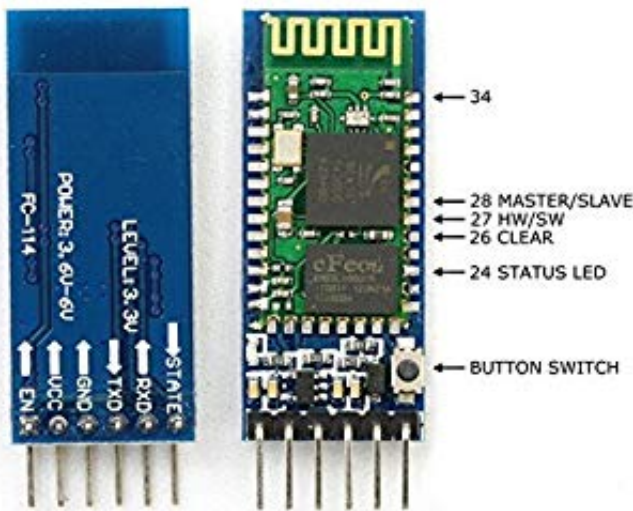
After the Bluetooth connection automatically switches to transparent mode

**Package Include:**

1 Pcs \* HC-06 Wireless Bluetooth Transceiver RF Module Serial 4 Pin

**Pinout**

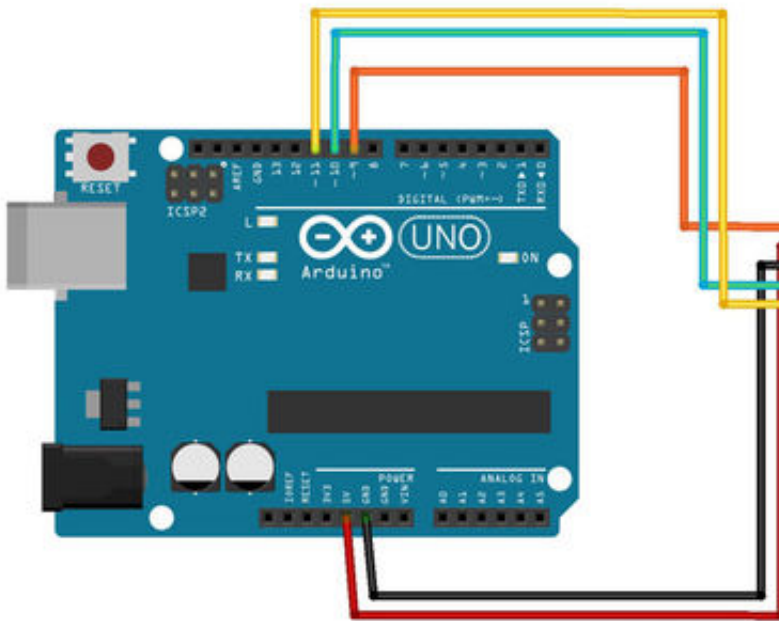
# HC-05 FC-114



## HC-05 Bluetooth Module

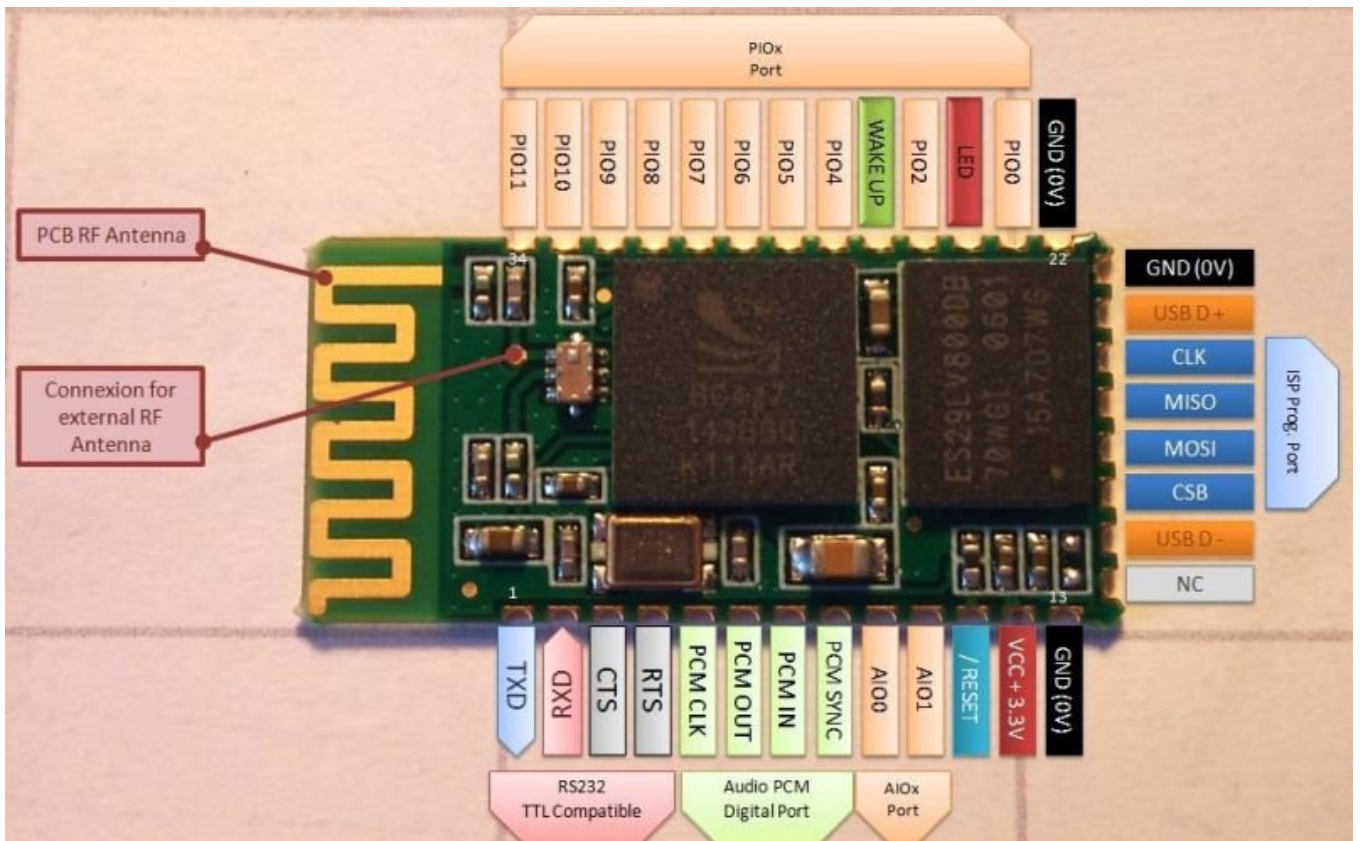


NOTE: Your HC-05 module breakout board may have a different pinout. Follow the labels on the breakout board.



TECHBITAR

Made with Fritzing.org



## Driver

<https://github.com/topics/bluetooth-arduino>

## Spesifikasjon

aaaaa

Brukte enheter:	
-----------------	--