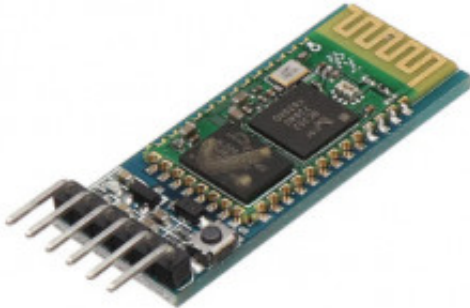


HC 05 Bluetooth master JY-MCU Kopier



Produktkode: 708aa

Tilgjengelighet: 7

Lager : X3

Pris: kr. 75,00

Short Description

HC-05 Wireless Bluetooth RF Transceiver Module serial RS232 TTL for arduino

Beskrivelse

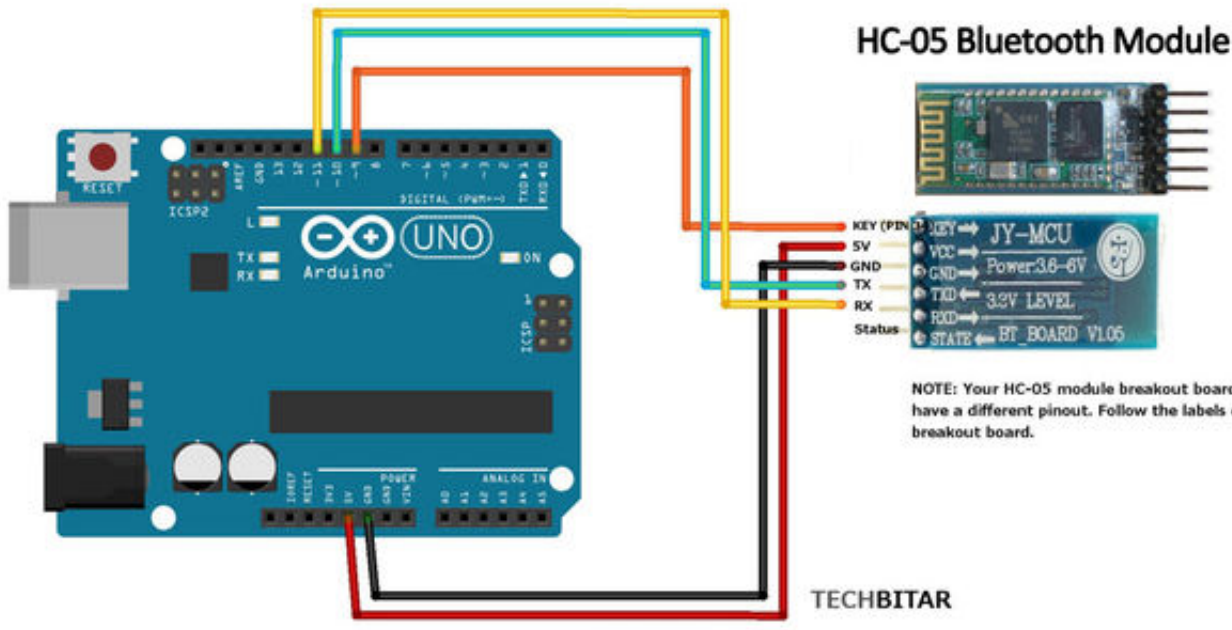
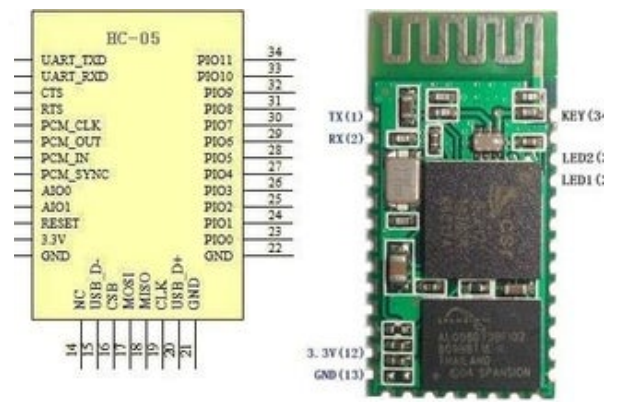
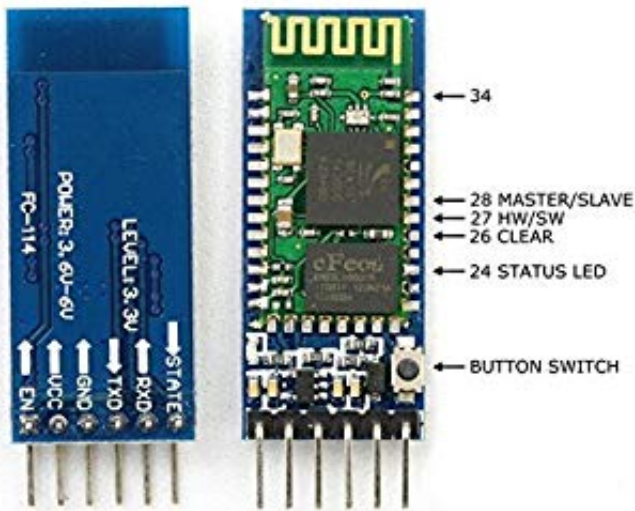
[HC-05 Wireless Bluetooth RF Transceiver Module serial RS232 TTL for arduino NEW](#)

Product Description

Input voltage: 6V--4.5V ,Default Baud Rate: 9600

Pinout

HC-05 FC-114

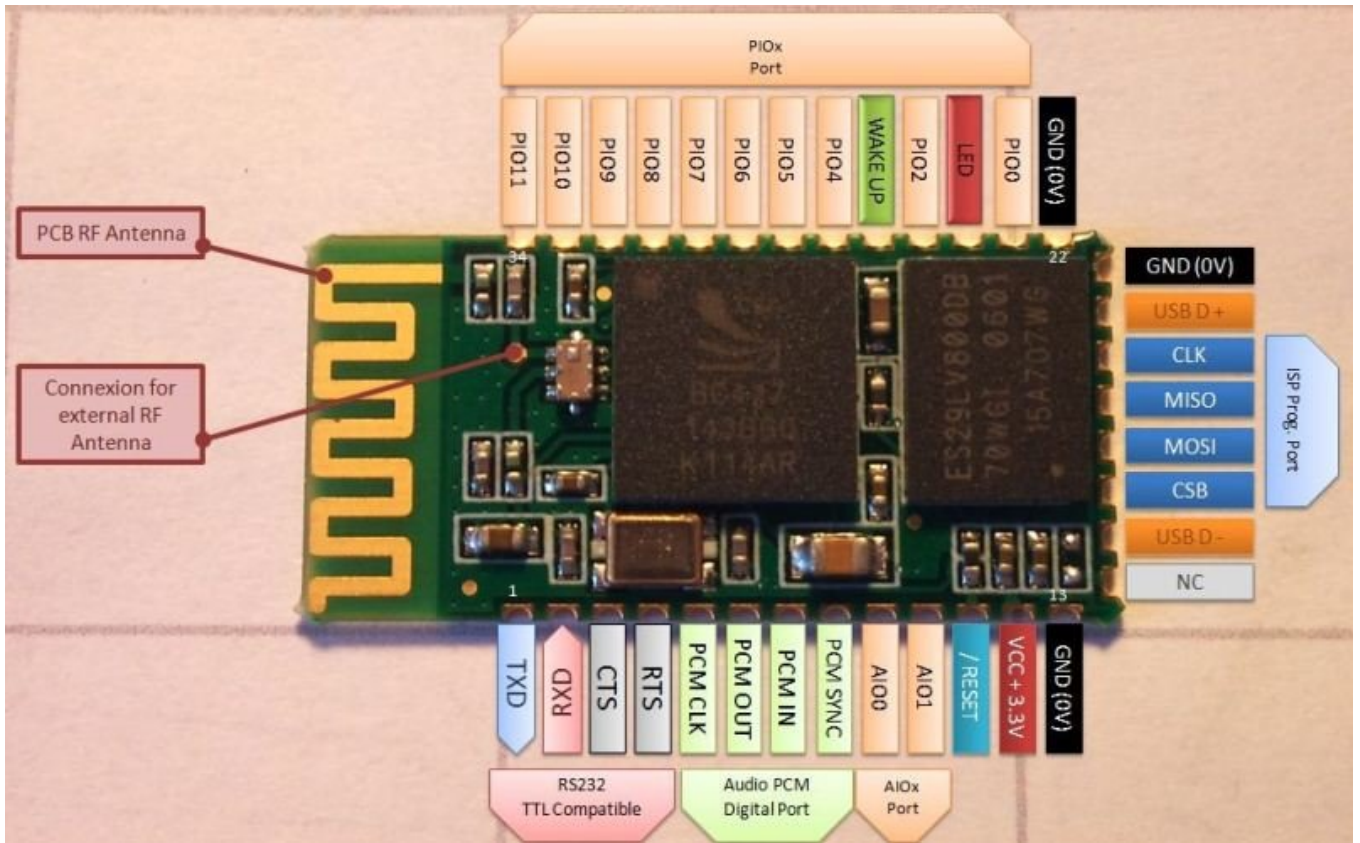


HC-05 Bluetooth Module



NOTE: Your HC-05 module breakout board may have a different pinout. Follow the labels on the breakout board.

TECHBITAR



driver

<https://github.com/topics/bluetooth-arduino>

Product Gallery

HC-05



