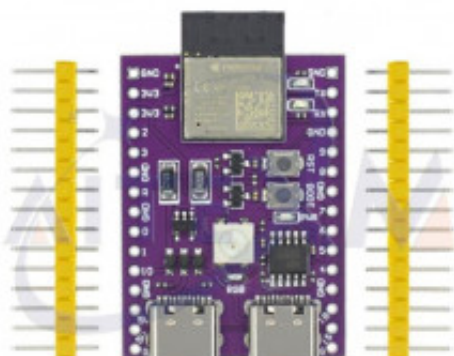


ESP32-C3 Dual USB



Produktkode: 799aa

Tilgjengelighet: 2

Lager : N15

Pris: kr. 120,00

Short Description

ESP32-C3 Dual USB

Beskrivelse

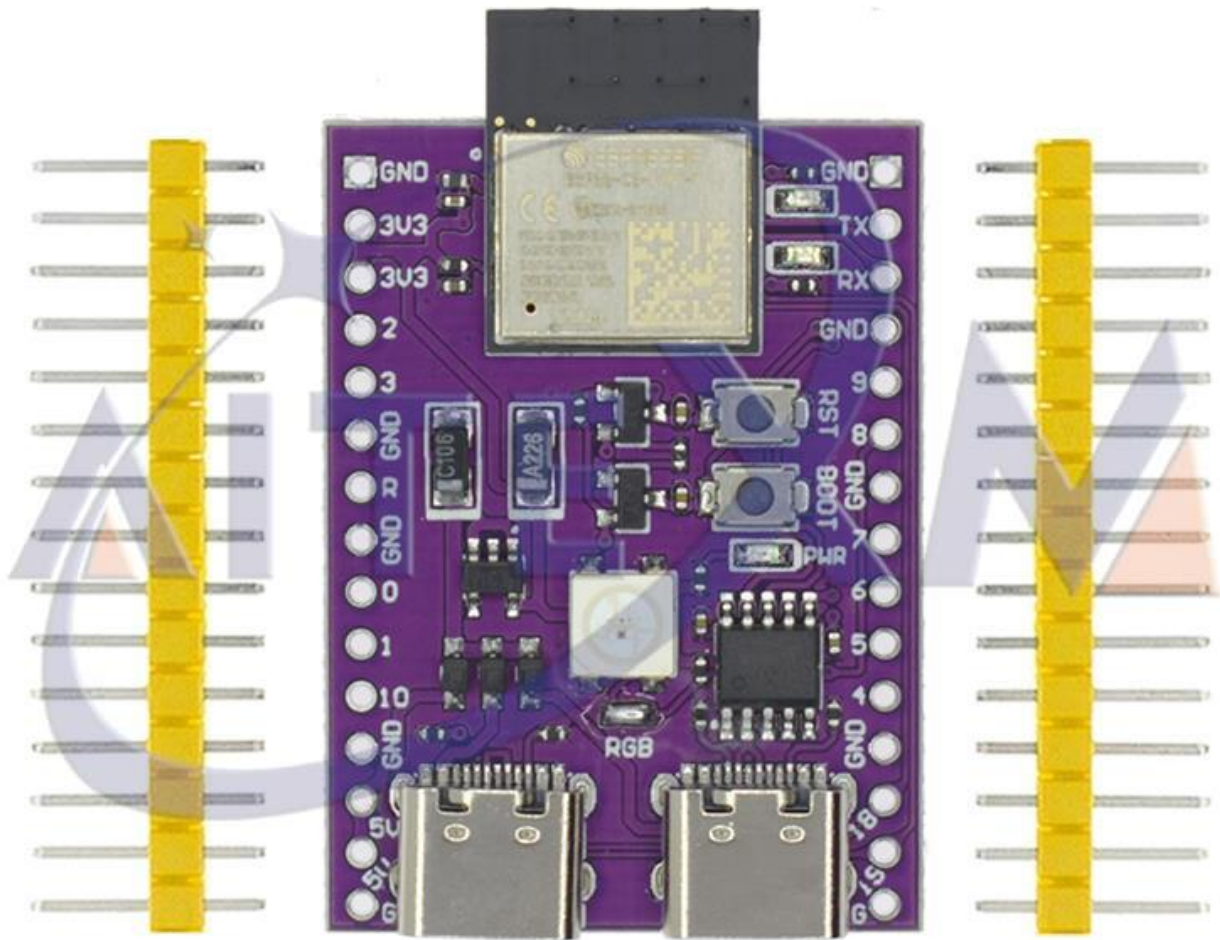
ESP32-S3 WIFI+BLE5.0 Development Boards

**Original Espressif modules:ESP32-S3-WROOM-1-N8R2(8M Flash/2SRAM) or
ESP32-S3-WROOM-1-N16R8(16M Flash/8SRAM)**

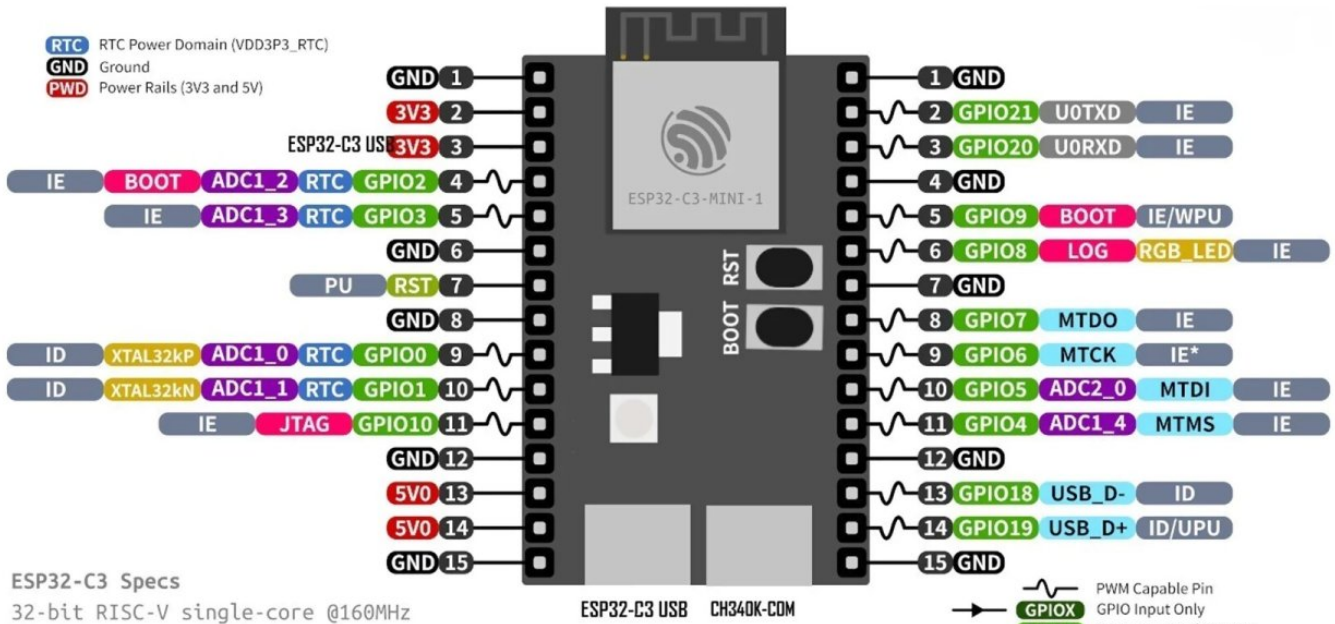
AI IOT/Dual Type-C USB/WS2812B RGB/ESP32-WHO/CH343P

About ESP32-S3-WROOM-1 Storage description

mpn	sram	rom	psram	flash
ESP32-S3-WROOM-1-N4	512K	384K	0M	4M
ESP32-S3-WROOM-1-N8	512K	384K	0M	8M
ESP32-S3-WROOM-1-N16	512K	384K	0M	16M
ESP32-S3-WROOM-1-N4R8	512K	384K	8M	4M
ESP32-S3-WROOM-1-N8R8	512K	384K	8M	8M
ESP32-S3-WROOM-1-N16R8	512K	384K	8M	16M
ESP32-S3-WROOM-1-N4R2	512K	384K	2M	4M
ESP32-S3-WROOM-1-N8R2	512K	384K	2M	8M
ESP32-S3-WROOM-1-N16R2	512K	384K	2M	16M
ESP32-S3-WROOM-1-N8R8	512K	384K	8M	8M
ESP32-S3-WROOM-1-N16R8	512K	384K	8M	16M



Pinout



ESP32-C3 Specs

32-bit RISC-V single-core @160MHz
 Wi-Fi IEEE 802.11 b/g/n 2.4GHz
 Bluetooth LE 5
 400 KB SRAM (16 KB for cache)
 384 KB ROM
 22 GPIOs, 3x SPI, 2x UART, I2C,
 I2S, RMT, LED PWM, USB Serial/JTAG,
 GDMA, TWAI®, 12-bit ADC

ESP32-C3 USB CH340K-COM

GPIO STATE

UPU: USB Weak Pull-up
WPU: Weak Pull-up (Internal)
WPD: Weak Pull-down (Internal)
PU: Pull-up (External)
IE: Input Enable (After Reset)
IE*: Input Enable (Depends of FUSE_DIS_PAD_JTAG)
ID: Input Disabled (After Reset)
OE: Output Enable (After Reset)
OD: Output Disabled (After Reset)

- PWM Capable Pin
- GPIOX GPIO Input Only
- GPIOX GPIO Input and Output
- DAC X Digital-to-Analog Converter
- JTAG/USB JTAG for Debugging and USB
- FLASH External Flash Memory (SPI)
- ADCX_CH Analog-to-Digital Converter
- TOUCHX Touch Sensor Input Channel
- OTHER Other Related Functions
- SERIAL Serial for Debug/Programming
- ARDUINO Arduino Related Functions
- STRAP Strapping Pin Functions