

MP1584EN-LF-Z SOIC-8 switch regulator chip

Produktkode: 832aa

Tilgjengelighet: Opp til 1 mnd leveringstid

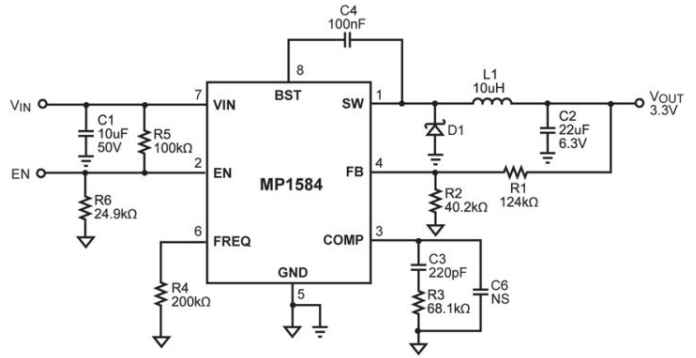


Pris: kr. 65,00

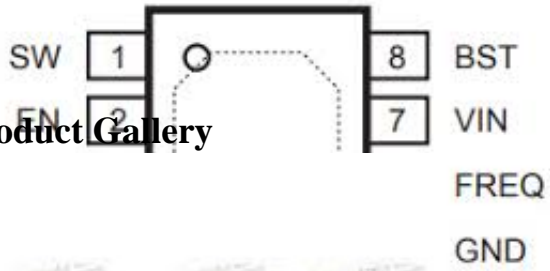
Short Description

MP1584EN-LF-Z SOIC-8 switch regulator chip 3A 1.5MHz 28V

Beskrivelse



TOP VIEW



Product Gallery



TOP VIEW

