

waterproof ultrasonic sensor

Produktkode: 942a

Tilgjengelighet: 1

Pris: kr. 67,00

Short Description

waterproof ultrasonic sensor transmitter and receiver split diameter 16MM 40KHZ

Beskrivelse

Description

[Report Item](#)

Note :

our product height is 12mm ,other supplier only is 10mm .

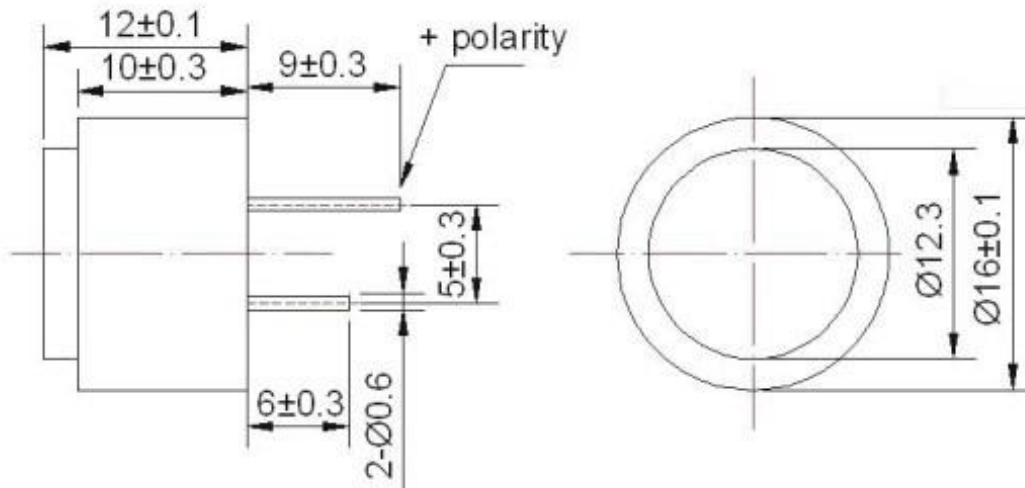
Promotions ultrasonic sensor (waterproof) Transceiver diameter 16MM 40KHZ

package :1pcs transmitter +1pcs receiver

3. SENSOR MODE

Items	Technical Specifications
1. Construction	Water proof
2. Using method	Separate using
3. Nominal Frequency	40 ± 0.8 KHz
4. S P L	https://www.aliexpress.com/store/437150 ≥ 105 (10V/30cm/sine wave)
5. Sensitivity	≥ -65 dB V/ μ Pa Store No.437150
6. Directivity	60 ± 5 deg XIN NUO QI
7. Capacitance	$2000 \pm 30\%$ @ 1KHz
8. Max.detectable range	3.5M
9. Rated/Max input Voltage	20Vp-p/150Vp-p https://www.aliexpress.com/store/437150
10. Long-term Storage temperature	$-35^{\circ}\text{C} \sim 85^{\circ}\text{C}$
11. Long-term working temperature	$-40^{\circ}\text{C} \sim 90^{\circ}\text{C}$ Store No.437150
12. Housing material	Al
13. Weight	Approx 2.5 gram

4. Drawing



<https://www.aliexpress.com/store/437150>

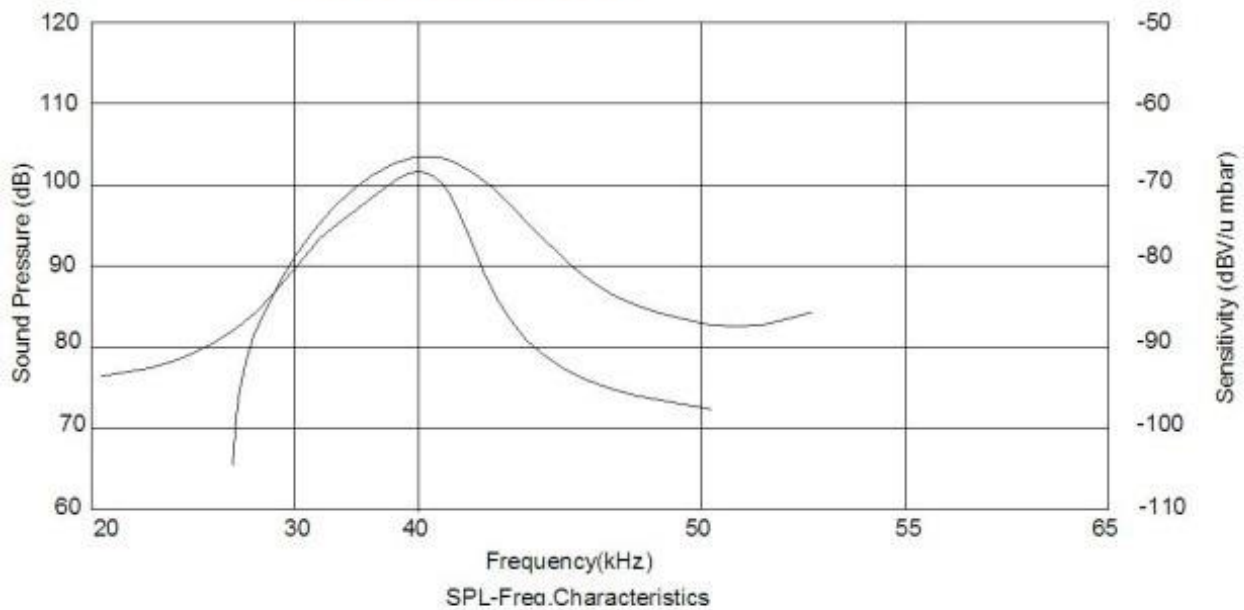
Tolerance: ± 0.2 mm unless otherwise specified

Unit: mm

XIN NUO QI

5. Beam Pattern

Store No.437150



6. Test Circuit

