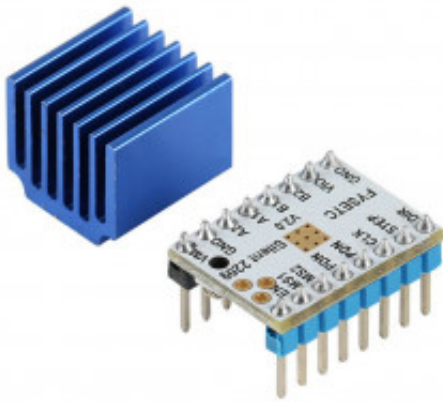


# TMC2209 V2.0 Stepper Motor Driver



**Produktkode:** 1015  
**Tilgjengelighet:** 2  
**Lager:** P29

**Pris: kr. 190,00**

## Short Description

TMC2209 V2.0 Stepper Motor Driver Super Silent Stepsticks Mute Driver Board 256

## Beskrivelse

### Features:

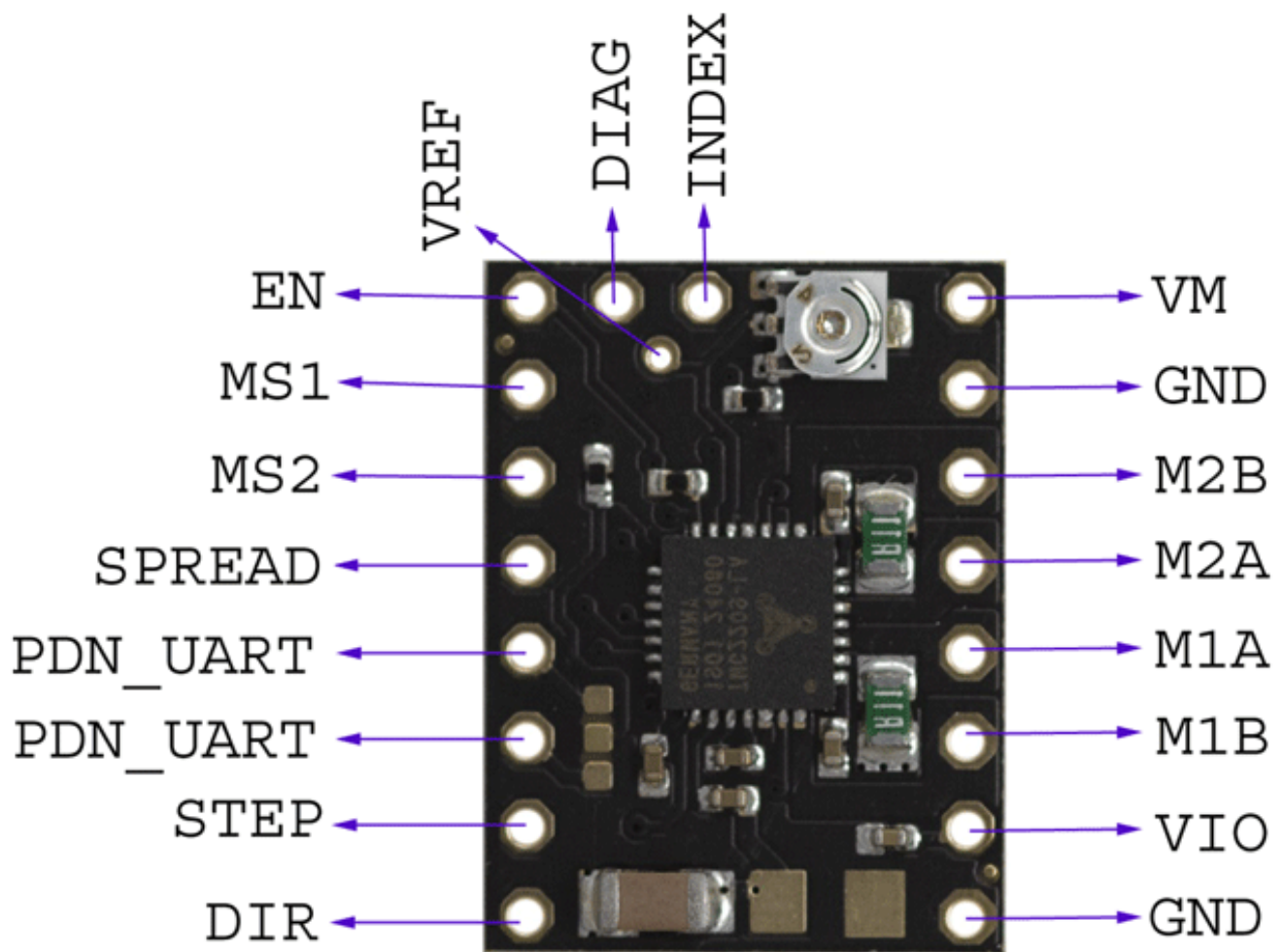
- Hardware compatible with StepStick and Pololu A4988
- Drive capability up to 1.7A (RMS) continuous coil current - 2.8A Peak
- Step/Dir interface with microstep interpolation (up to 256 microsteps)
- Configuration via CFG pins or UART interface
- Motor voltage: 5.5~28V
- Logic voltage: 3.3~5V
- RSense: 0.11 Ohm
- StealthChop2 - for quiet operation and smooth motion
- SpreadCycle - highly dynamic motor control chopper (enableable via UART, OTP, CFG Pin)
- CoolStep - current control for energy savings
- StallGuard4 - sensorless motor load detection

### Package included:

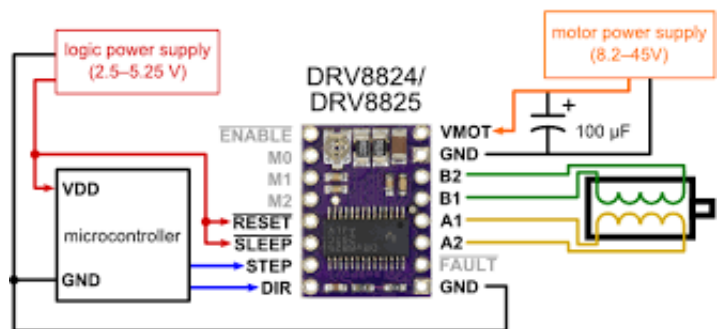
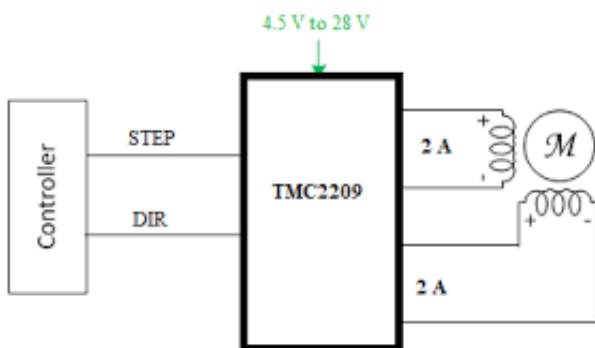
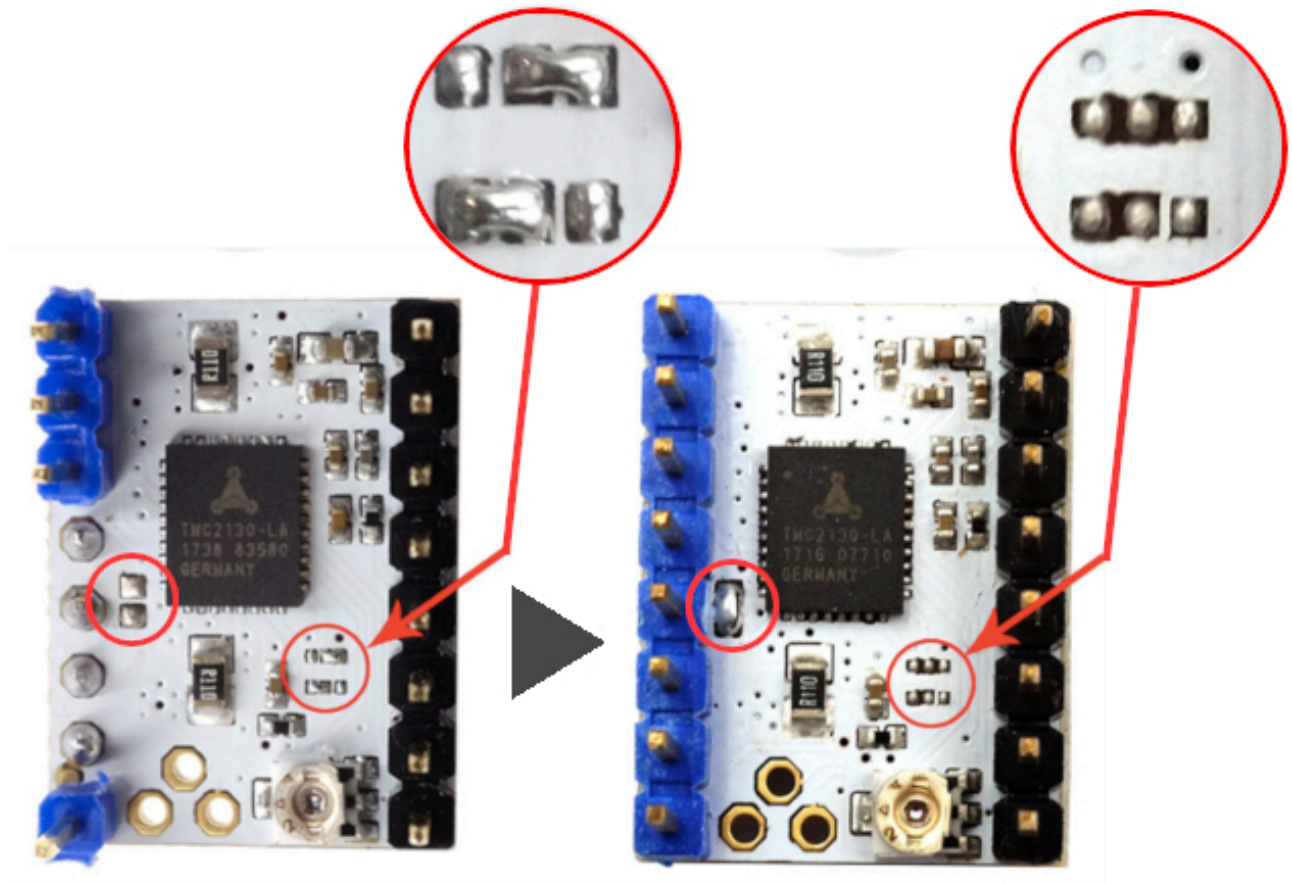
- 1 x TMC2209 Driver
- 1 x Heatsink
- 1 x Screwdriver

## Pinout

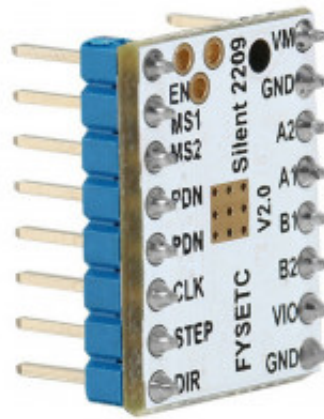
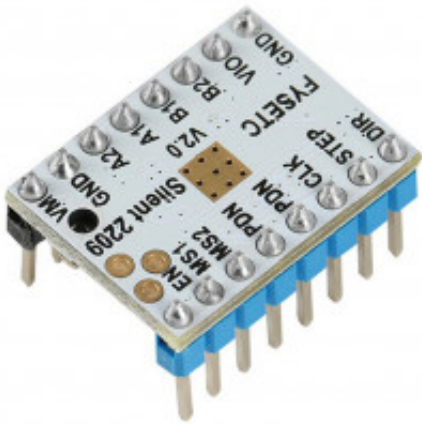
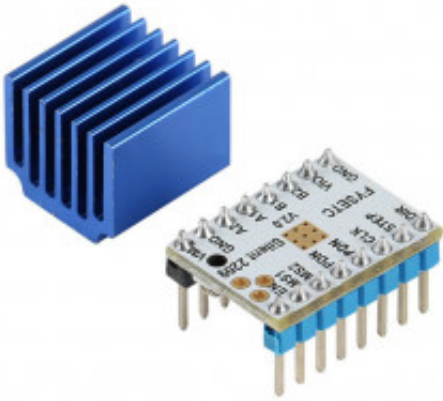
[PDF- Manual](#)



# For SPI Mode



Product Gallery



EN	EN	Silent 2209	VM	VM
MS1	MS1	GND	GND	GND
MS2	MS2	A2	A2	A2
PDN	PDN	A1	A1	A1
PDN	PDN	B1	B1	B1
CLK	CLK	B2	B2	B2
STEP	STEP	VIO	VIO	VIO
DIR	DIR	GND	GND	GND

